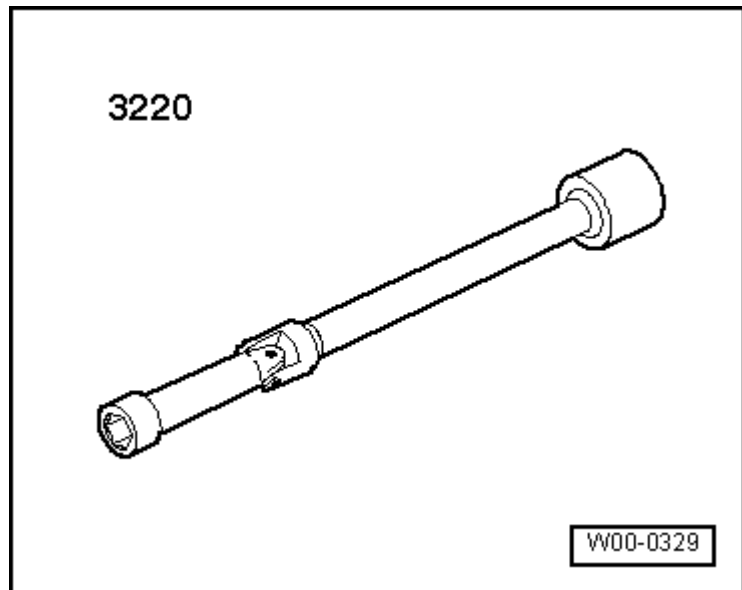


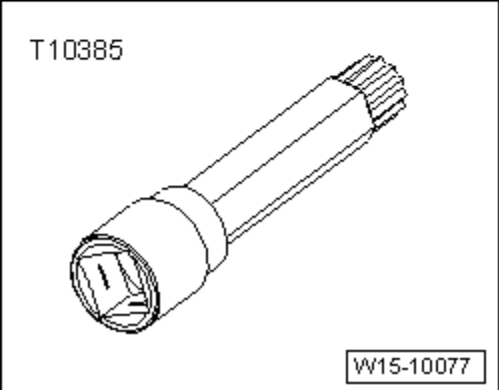
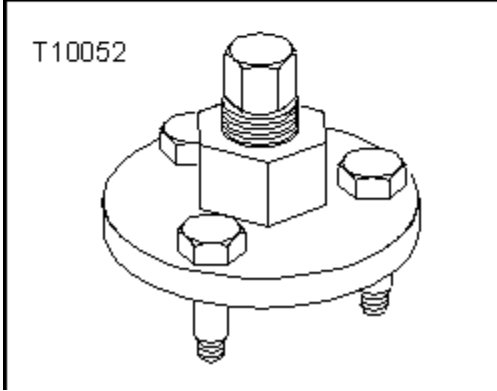
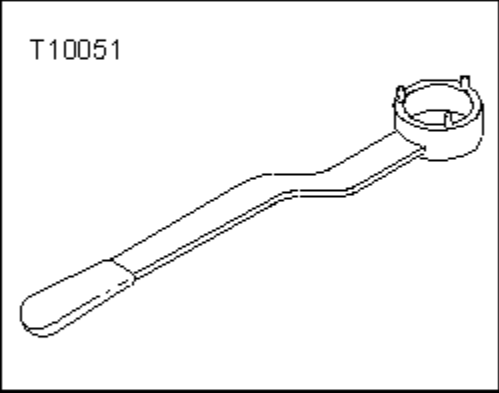
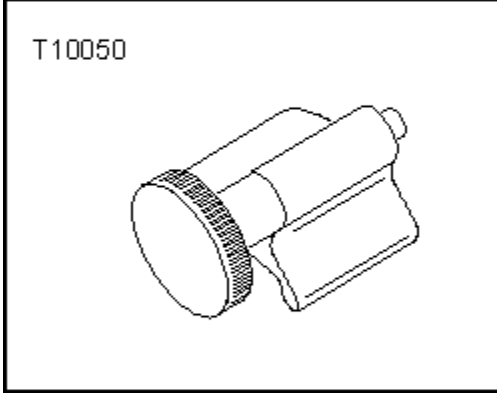
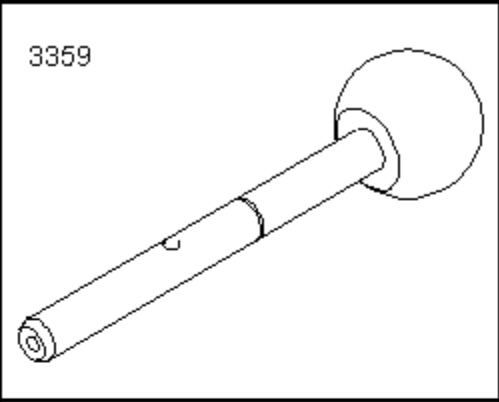
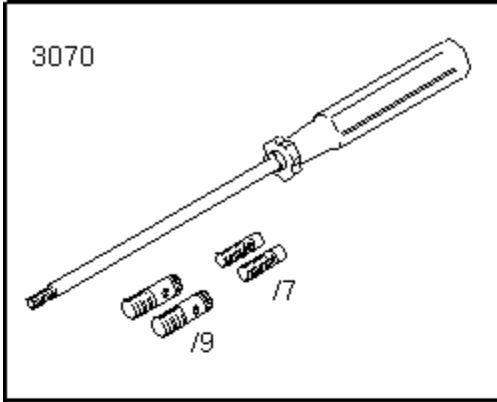
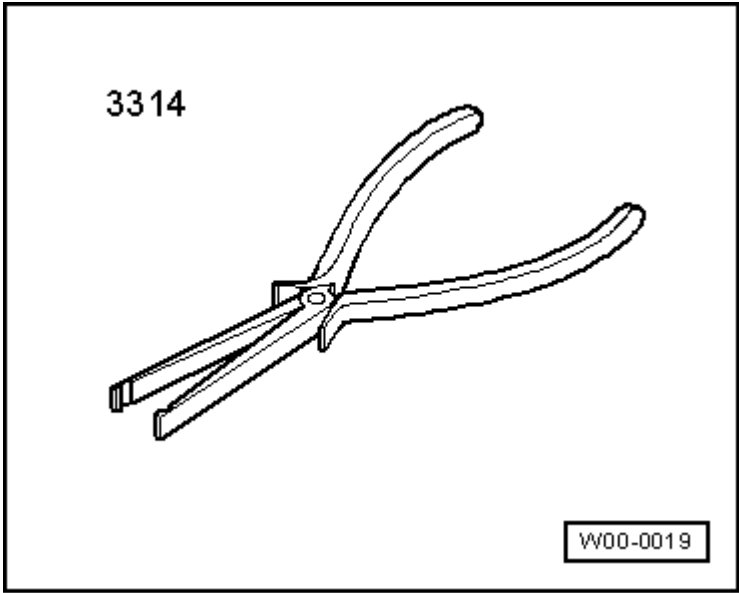
## Special Tools

### Special tools and workshop equipment required

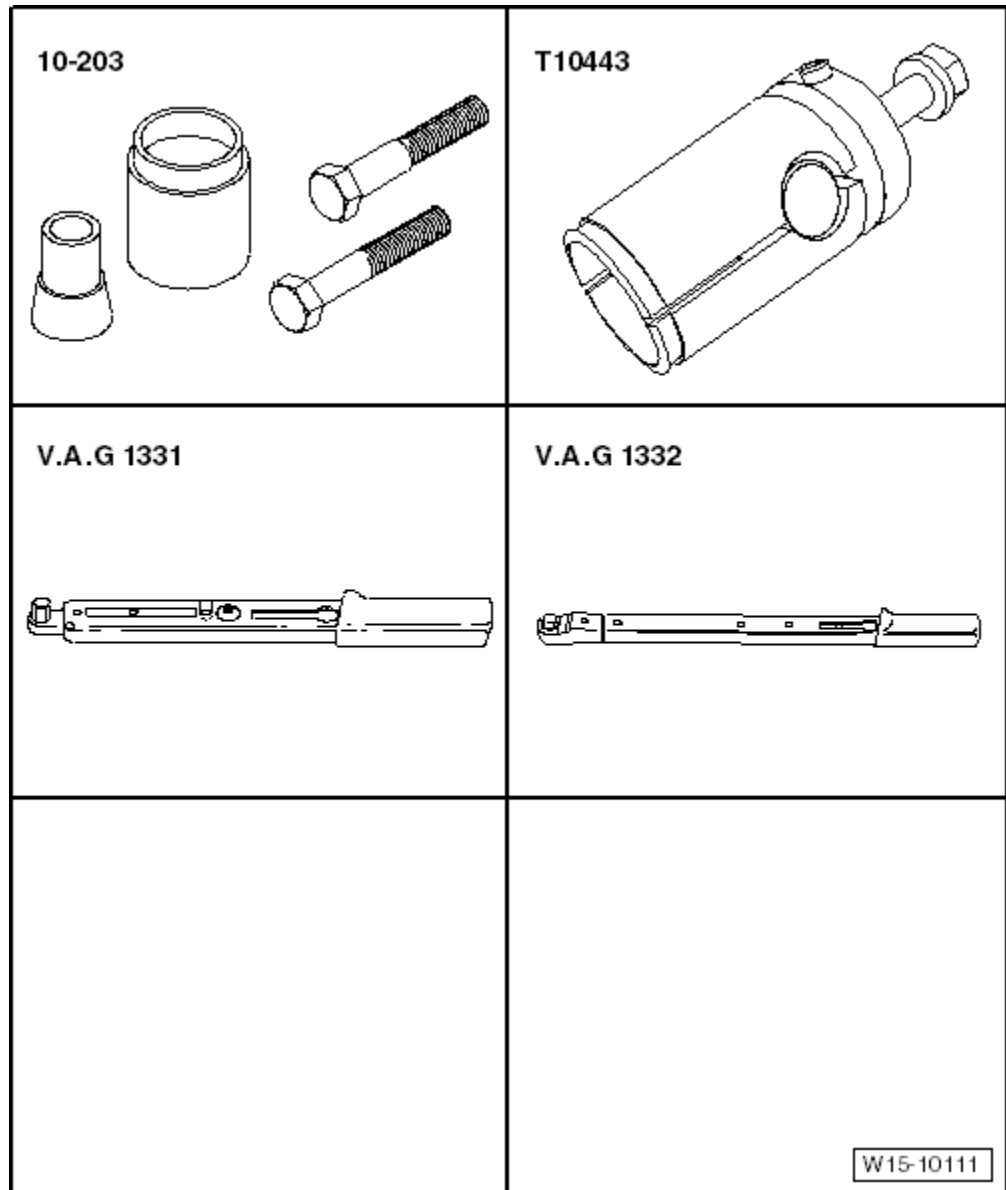
- ◆ Straight Edge 500 mm -VAS 6075-
- ◆ Compression Tester Kit -VAG1763-
- ◆ Compression Tester Kit - Adapter 8 -VAG1763/8-
- ◆ Dial Gauge Holder -VW 387-
- ◆ Counterhold - Kit - Multiple Use -T10172-
- ◆ Wrench - Tensioning Roller -T10264-
- ◆ Tensioning Roller Locking Tool -T10265-
- ◆ Shop Crane - Drip Tray -VAS 6208-
- ◆ Camshaft Fitting Tool -T40094- part of Camshaft Fitting Tool - T40094A-
- ◆ Camshaft Fitting Tool -T40095- part of Camshaft Fitting Tool - T40094A-
- ◆ Camshaft Fitting Tool - T40096 -T40096- part of Camshaft Fitting Tool -T40094A-
- ◆ Glow Plug Socket -3220-



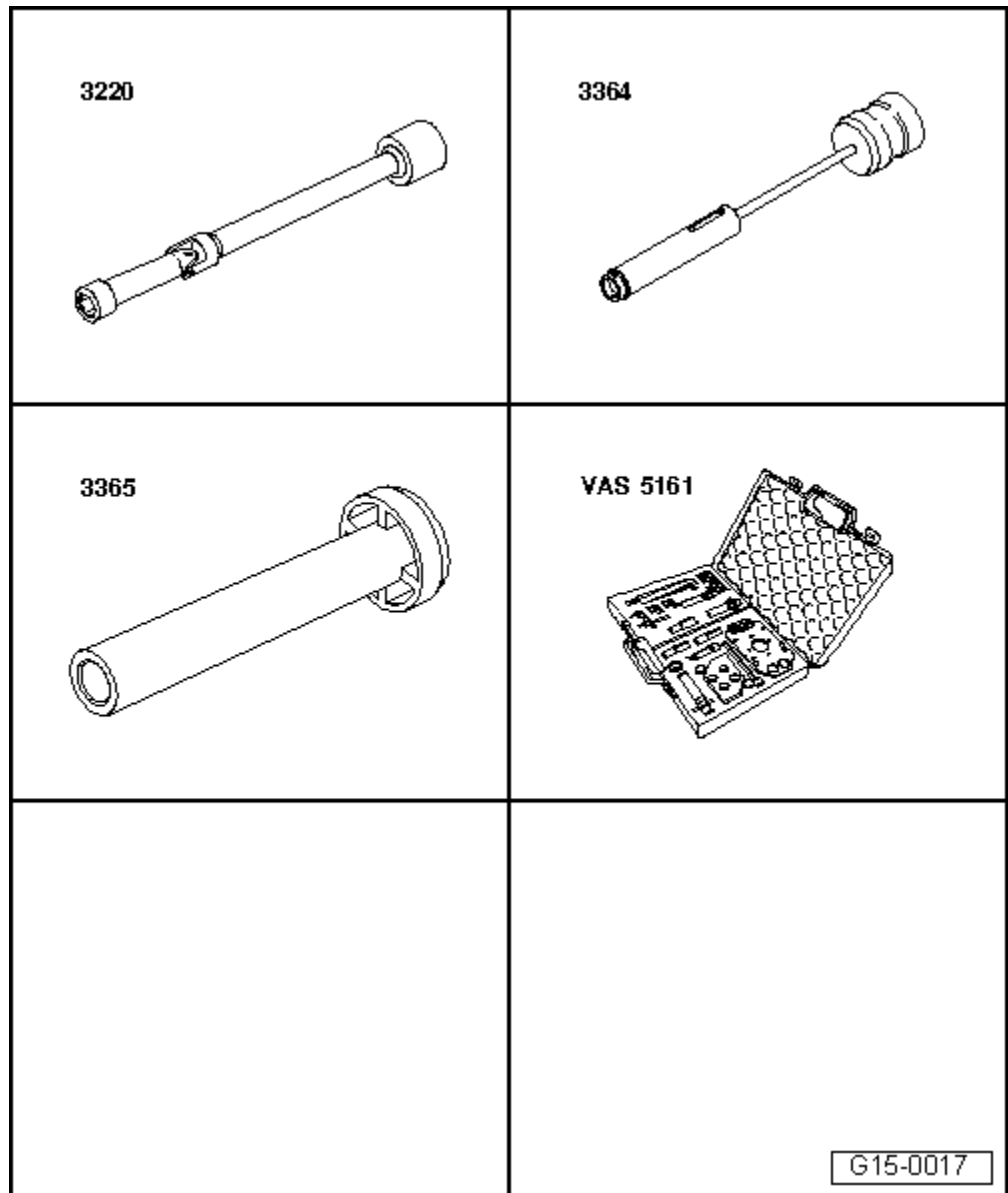
- ◆ Wheel Bolt Cap Pliers -3314-



- ◆ Guide Tool - Cylinder Head -3070-
- ◆ Diesel Injection Pump Locking Pin -3359-
- ◆ Crankshaft Stop -T10050-
- ◆ Counterhold - Camshaft Gear -T10051-
- ◆ Puller - Camshaft Sprocket -T10052-
- ◆ Socket - Xzn 10 -T10385-



- ◆ Seal Installer - Crankshaft/Camshaft -10-203-
- ◆ Puller - Camshaft Seal -T10443-
- ◆ Torque Wrench 1331 5-50Nm -VAG 1331-
- ◆ Torque Wrench 1332 40-200Nm -VAG 1332-



- ◆ Glow Plug Socket -3220-
- ◆ Puller - Valve Seal -3364-
- ◆ Seal Installer - Valve Stem -3365-
- ◆ Valve Cotter Tool Kit -VAS5161A-
- ◆ Valve Cotter Tool Kit - Guide Plate 23 -VAS5161/23-