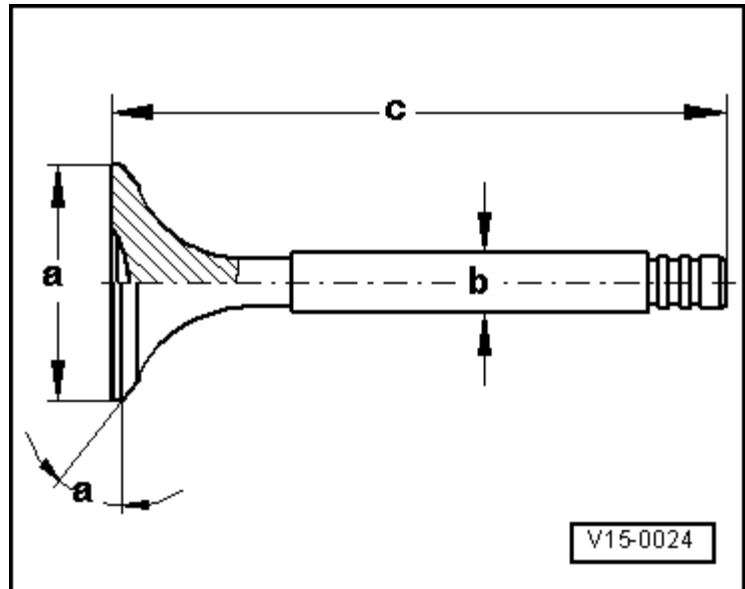


Valve Dimensions



Note

The valves must not be reground. Only hand lapping is permitted.



Dimension		Intake Valve	Exhaust Valve
Diameter a	mm	26.60	26.00
Diameter b	mm	5.940	5.940
Distance c	mm	99.30	99.10
Angle α	\angle°	45	45